



LandMax

Suppliers Of Quality Agricultural Machinery

21 Plummers Point Road, Tauranga



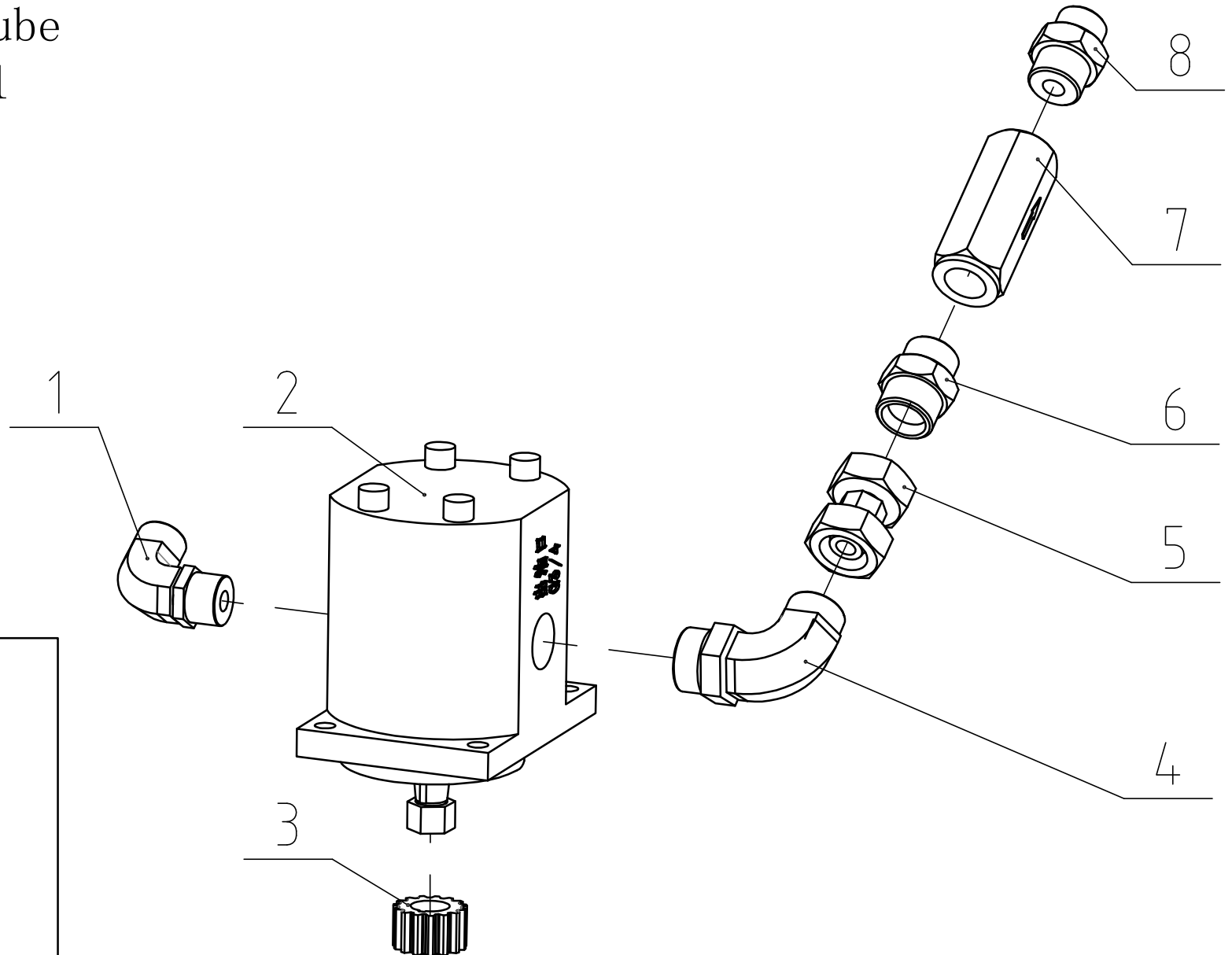
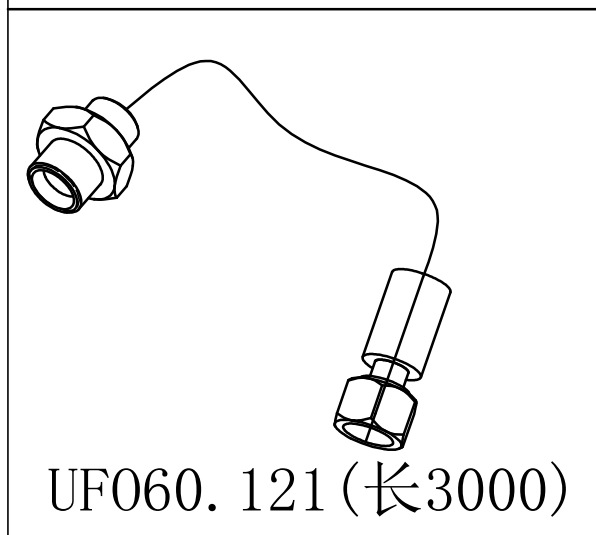
Swing Mower

UFO

Parts List

UF060-001 Hydraulic system

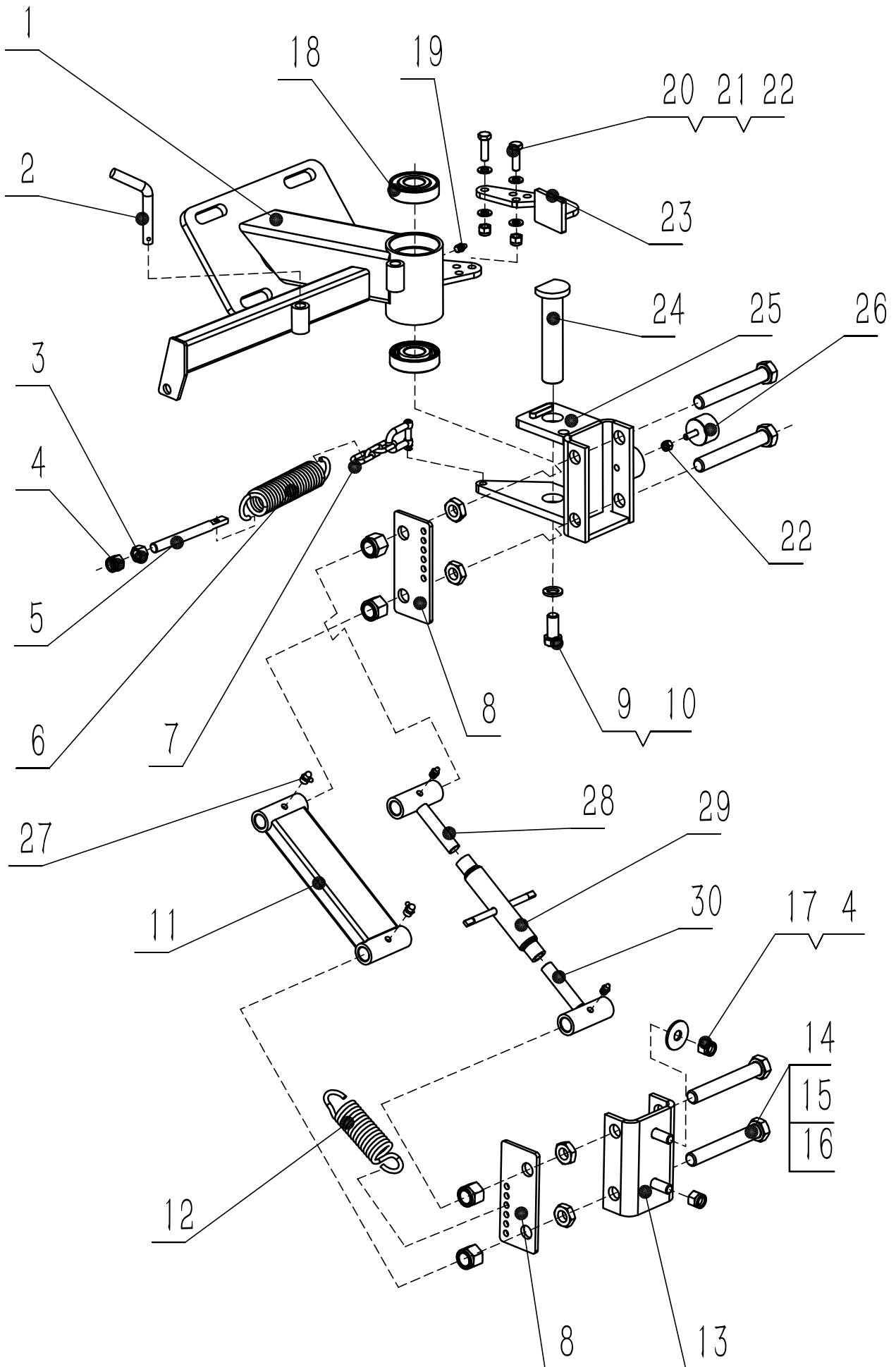
With two oil tube
Code: UF060.121



UF060-001 Hydraulic system

Ser. No.	Part No.	Name & Specification	Quantity	Remarks
1	1CG9-22-08OG	90 degrees bend, adjustable to column end, G1/2 to M22x1.5	1	
2	2ZGMB2D14T1L1-N	Gear motor	1	
3	UFO60-120	outer spline housing	1	
4	1CG9-26-12OG	90 degrees bend, adjustable to column end, G3/4 to M26x1.5	1	
5	3C-26	Internal thread Straight through joint M26x1.5	1	
6	1CG-26-08	G1/2 turn M22x1.5 (cone)	1	
7	VUR-G1/2-0-1	one-way valve G1/2	1	
8	1CG-22-08	G1/2 turn M22x1.5 (cone)	1	

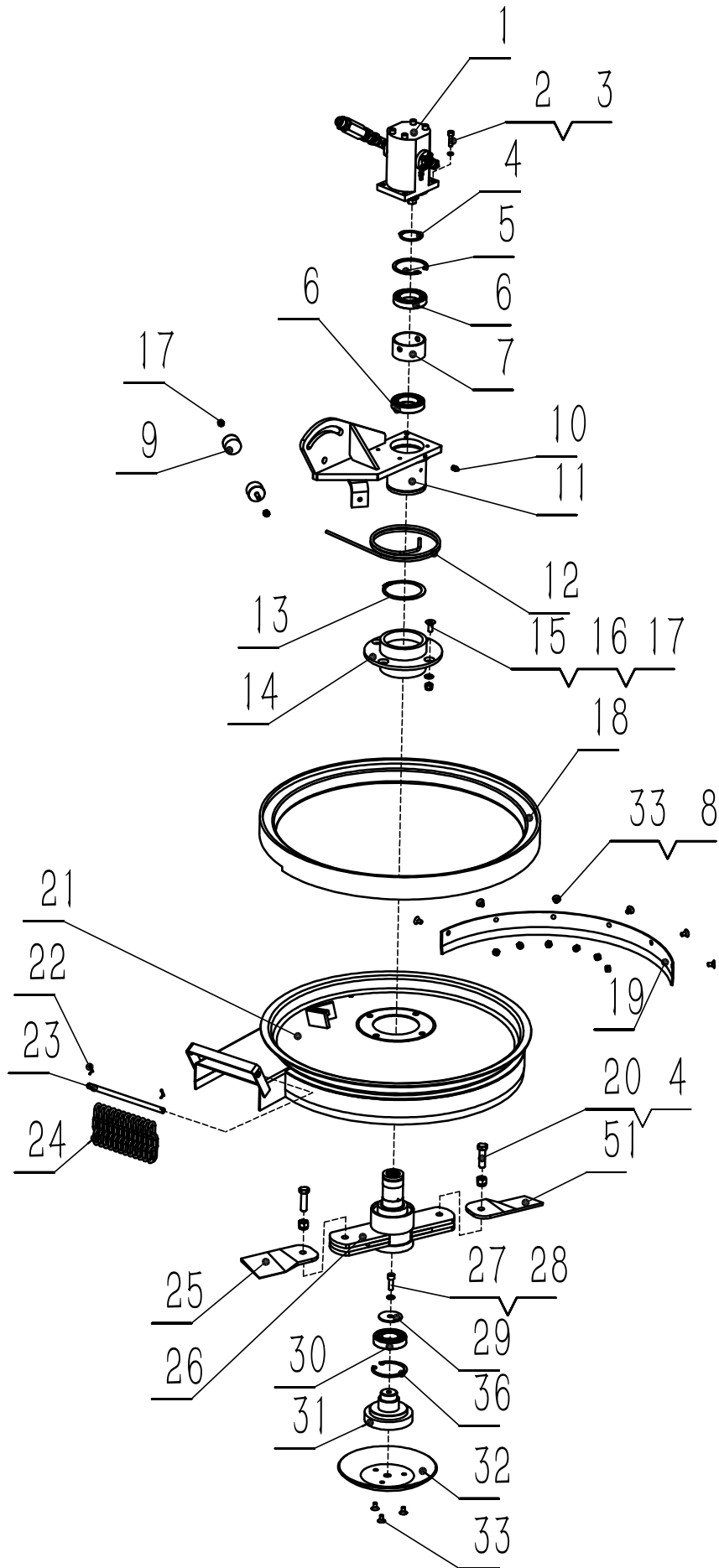
UF060-002 Suspension assembly



UF060-002 Suspension assembly

Ser. No.	Part No.	Name & Specification	Quantity	Remarks
1	UFO60-011	Mount weldment	1	
2	UFO60-110	Cylindrical pin	1	
3	GB/T 6170-M14	Nut M14	1	
4	GB/T 889.1-M14	Locking Nut M14	3	
5	UFO60-114	Thread brace rod	1	
6	UFO60-113	Long spring	1	
7	UFO60-024	D type buckle chain	1	
8	UFO60-102	Spring pull plate	2	
9	GB/T 93-16	Spring lock washers 16	1	
10	GB/T 5781-M16×35	Bolt M16×35	1	
11	UFO60-013	The connecting pipe welding	1	
12	UFO60-112	Short spring	1	
13	UFO60-019	U plate welding	1	
14	GB/T 5780-M20×140	Bolt M20×140	4	
15	GB/T6172-M20	Thin nut M20	4	
16	GB/T 6182-M20	Locking Nut M20	4	
17	GB/T 96.1-14	Large Plain washers 14	1	
18	GB/T 276-6306-RZ	Deep groove ball bearing 6306-RZ	2	
19	GBT7940.1-M10X1	Oil cup M10X1	3	
20	GB/T 5783-M10×35	Bolt M10×35	2	
21	GB95-10	Plain washers 10	4	
22	GB/T 889.1-M10	Locking Nut M10	3	
23	UFO60-023	Limit welding	1	
24	UFO60-101	Pin shaft	1	
25	UFO60-012	Rotating frame welding	1	
26	4027VE23	Shock absorber	1	
27	GB1153-M10X1X90°	Oil cup M10X1X90°	2	
28	UFO60-021	Left-handed screw	1	
29	UFO60-018	Regulating tie rod	1	Borrow ATV
30	UFO60-022	Right-handed screw	1	

UF060-003 Flail Mower Assembly



UFO60-003 Flail Mower Assembly

Ser. No.	Part No.	Name & Specification	Quantity	Remarks
1	UFO60-001	Hydraulic system	1	
2	GB/T 70.1-M8×30	Hexagon socket head cap screws M8×30	4	
3	GB/T 93-8	Spring lock washers 8	4	
4	GB 894.2-50	Circlips for shaft 50	1	
5	GB 893.2-80	Circlips for holes 80	2	
6	GB/T 276-6010-RZ	Deep groove ball bearing 6010-RZ	2	
7	UFO60-105	Sleeve	1	
8	GB/T 889.1-M8	Locking Nut M8	6	
9	4027VE23	Shock absorber	2	
10	GBT7940.1-M10X1	Oil cup M10X1	1	
11	UFO60-014	Gear motor seat Welding	1	
12	UFO60-111	Torsion spring	1	
13	GB 894.2-86	Circlips for shaft 95	1	
14	UFO60-015	Flange welding	1	
15	GB/T 70.3-M10×25	Hex head screws M10×25	4	
16	GB95-10	Plain washers 10	4	
17	GB/T 889.1-M10	Locking Nut M10	6	
18	UFO60-103	Rubber ring	1	
19	UFO60-117	Cover plate 2	1	
20	UFO60-122	Bolt M16	2	
21	UFO60-016	Welding hood	1	
22	GB91-3.2X18	Cotter pin 3.2X18	2	
23	UFO60-108	Baffle shaft	1	
24	EFA160.108	φ6、5 section chain	10	
25	UFO60-104	Blade	2	
26	UFO60-017	The knife shaft welding	1	
27	GB/T 70.1-M12×30	Hexagon socket head cap screws M12×30	1	
28	GB/T 93-12	Spring lock washers 12	1	
29	UFO60-116	Shim	1	
30	GB/T 276-6208-RZ	Deep groove ball bearing 6208-RZ	1	
31	UFO60-106	Disk seat	1	
32	UFO60-107	Disk	1	
33	GB/T 70.3-M8×15	Hex head screws M8×15	9	