



LandMax
Suppliers Of Quality Agricultural Machinery

21 Plummers Point Road, Tauranga



Flail Mower

AGH Series

Operator's Manual

FOREWORD

The purpose of this manual is to assist you in operating and maintaining your Flail mower. Read it carefully before operating and maintaining the Flail mower, it furnishes the specifications, construction, instructions and also the maintenance. Some information may be general in nature due to varying conditions. However, through experience and these instructions, you should be able to develop operating procedures suitable to your particular situation.

“Right” and “left” as used throughout this manual are determined by facing the direction the machine will travel when in use.

Please kindly note that the contents of this operations manual may be a little bit different from the Flail mower that you actually purchase. This is due to the continuous improvement and development of the flail mower. The specifications and structure of the Flail mower shall be subject to change without notice.

Thank you for purchasing our products.

We strive to make this operations manual as correct as possible. However, we do not guarantee the accuracy or recentness of the information herein, and assume no liability for errors or omission.

CONTENTS

CHAPTER I SAFETY INFORMATION	3
1.1 Safety First	3
1.2 Safety Signs	3
CHAPTER II SPECIFICATIONS	5
2.1 Brief Introduction	5
2.2 Specifications and Parameters for Flail Mower	5
CHAPTER III OPERATION	6
3.1 Checking Before Operating	6
3.2 Adjusting the Height	6
3.3 Regulating the Tension of Driving Belt	7
3.4 Starting up	7
CHAPTER IV SERVICE AND MAINTENANCE	9
4.1 Service	9
4.2 Maintenance	9
4.3 Storage	10
4.4 Operation After Storage	10
CHAPTER V ILLUSTRATED PARTS CATALOGUE	12
5.1 The Frame Assembly	13
5.2 The Sway Frame Assembly	16
5.3 Blade Axle Subassembly	19

CHAPTER I SAFETY INFORMATION

PLEASE NOTE

Make sure all potential operators of this equipment review this manual and all safety messages contained within.

1.1 Safety First

Read this service manual before using the machine.



This safety alert symbol indicates important safety messages in this manual. When you see this symbol, carefully read this message that follows and be alert to the possibility of personal injury or death.

This machine is designed for cutting grass and bush, and shall be used in the indicated purpose. You take the responsibility if the machine is used in any other purposes.

For safety of personnel and good performance of the machine, you shall check the performance of the machine and the tractor before starting the machine.

All persons and animals shall keep away the machine when you start it.

The operator shall not wear loose clothing while operating the machine.

Do not touch the rotor when the machine rotates.

Keep away the machine when it moves.

When the tractor and the machine are moving on the road, always keep the machine off.

Before repairing the machine, stop all movable parts and the tractor, keep the key with yourself.

Always keep the machine in a good state, if necessary, repair or change the defective parts.

Don't use the machine to transport personnel.

Don't modify the machine.

Pay attention to the sharp and pointed parts during repairing the machine.

All protective parts shall be guaranteed to be in good state before starting the machine.

Don't leave the tractor when moving the machine; and always take away the key of the tractor with you.

The machine shall be operated in the recommended speed.

Don't stay between the tractor and the machine.

Don't start the machine in a closed place (due to the smoke from the tractor).

1.2 Safety Signs

1.2.1 Care of Safety Signs

1. Keep safety signs clean and legible at all times.
2. Replace safety signs that are missing or have become illegible.

3. If a component with a safety sign(s) affixed is replaced with a new part, make sure new safety sign(s) are attached in the same locations as the replaced components.
4. Safety signs are available from your authorized Distributor or Dealer Parts Department or the factory.

1.2.2 Safety Signs locations

The types of safety signs and locations on the equipment are shown in the illustrations that follow. Good safety requires that you familiarize yourself with the various safety signs, the type of warning and the area, or particular function related to that area, that requires your **SAFETY AWARENESS**.

CHAPTER II SPECIFICATIONS

2.1 Brief Introduction

The flail mower is designed for pulverizing grass and short bramble, and shall be used in the indicated purpose.

The Flail mower consists of a rotating shaft with many blades attached to it. The blades cut the grass while traveling over the working area. Rotational power to the shaft is provided by the tractor PTO through the gearbox in the center of the machine.

The Flail mower attaches to the 3 point hitch on the tractor.

2.2 Specifications and Parameters for bush cutter



VERGE MOWER AGH Pro

Model	AGH140 Pro	AGH160 Pro	AGH180 Pro	AGH200 Pro	AGH220 Pro
Weight(kg)	620	647	680	715	740
Cutting width (cm)	140	160	180	200	220
Cutting height (mm)	10-80	10-80	10-80	10-80	10-80
Rotor diameter (mm)	127	127	127	127	127
Roller diameter (mm)	152	152	152	152	152
Belts	3	3	3	4	4
1200g/800g	12/20	14/22	16/26	18/28	20/32
Power Required(hp)	40-85	60-95	70-110	80-120	90-130

CHAPTER III OPERATION



CAUTION: Be familiar with the machine before starting. Read this manual carefully to learn how to operate the machine safely and how to set it to provide maximum field efficiency.

3.1 Checking Before Operating



ATTENTION: Only use universal joint conforming to CE standard and protect them properly.

Before operating the machine, the following areas should be checked off:

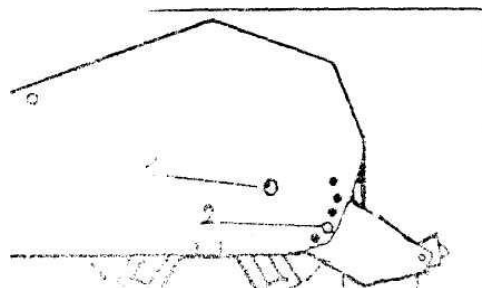
1. **Pay attention to the warning stickers on each greasing point. Before starting the machine, please make sure lubricate each grease point with grease or oil according to requirement on the warning stickers.**
2. Use only an agricultural tractor of horsepower within limits of the machine specified.
3. Check that the machine is properly attached to the tractor. Be sure retainers are used on the mounting pins.
4. Be sure extra weights are mounted on the front of the tractor.
5. Check the oil level in the gearbox. Add as required.
6. Check that the tractor PTO shaft turns freely and that the machine driving shaft can telescope easily.
7. Check the blades. Be sure they are not damaged or broken and swing freely in their mount. Repair or replace as required.
8. Check and tighten the blade bolts.
9. Check for entangled material in all rotating parts. Remove this material.
10. Install and secure all guards, doors and covers before starting.
11. Before installing the universal joint, the tractor and the machine motor shall be stopped and the key be taken away. The universal joints shall be installed in good state, with proper protective parts.
12. The chain on the protective parts of the universal joint shall be guaranteed in good condition, in case, automatic rotation occurs.
13. All other persons shall leave the ground before connecting the driving power from the tractor. Keep the output of the tractor at 540 RPM.
14. Before cleaning, repairing and lubricating the machine, stop the motor and take away the key with you.
15. When the universal joint is not connected with the tractor, they must be connected again through the frame to protect the joint from damaging.
16. Don't approach the machine when the machine runs.

3.2 Adjusting the Height

In order to conduct a precise work, the machine shall be operated according to the recommended cutting height.

For saving fuel and power, and reducing the wear of the machine, the cutting height must be regulated correctly.

When regulating the working height, loosen the screw (1), remove the screws (2) on both sides; regulate the roller height (see following drawing); fix the parts on the set position. The lowest hole is the highest working height; put the screws (2) into the set hole



tighten screw (1) and screws (2).

3.3 Regulating the Tension of Driving Belt

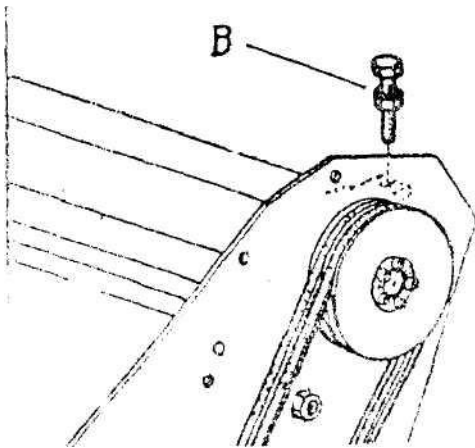
ATTENTION: The machine shall always stand still for regulating the tension.



Remove the driving belt cover, Loosen screws

Tighten the driving belt with screw, Tighten the screws

Put back the driving belt cover.



The recommended moving forward speed is 1.5 km/h, according to the grass height, thickness and working condition.

The driving belts are tightened by hand at the regulating point B up to the correct tension. Tighten all screws after regulating.

The driving belts shall be replaced when they are not in a good condition.

3.4 Starting up

Before starting the machine, control and adjust the following items:

- Tension of trapezoidal driving belt.
- Oil level of gear.
- Point of lubrication
- All bolts, nuts and screws.

In order to keep the machine stable, install the supporting frame on the machine when the machine is stopped (see above drawing).



ATTENTION: When transferring the moving state of the machine to the working state, do not stand between the machine and the tractor.

The machine coupling is equipped with 3 pins so that the machine can be coupled with all tractors with universal coupling with 3 pins. Each telescopic pole on the machine can be adjusted properly according to the type of the tractor. Keep the Flail mower away the tractor with a certain distance. The universal joint shall be tense and the largest distance in the closed state shall be 5/10 cm.

Moving the lifting arm, and putting it between axes, insert the joint pins and fix them with pins. Fix the lifting arm with chain and tensioning device so as to prevent lateral movement of the machine. Connect the universal joint to the PTO shaft of the tractor on the side of the tractor. In any event, it cannot produce a collision in any position. While connecting 3 points, pay attention to that the PTO shaft of the tractor shall be parallel with the ground. It is very important to keep the machine driving axle and the PTO shaft of the tractor in parallel.

The machine shall be lifted from the ground before moving the machine.

CHAPTER IV SERVICE AND MAINTENANCE

4.1 Service

4.1.1 FLUIDS AND LUBRICANTS

1. Grease:

Use multi-purpose lithium based grease.

2. Gear Box Oil:

Use N46 drive &hydraulic dual-purpose oil or equivalent for all operating conditions.

Each Gearbox Capacity: 0.85 liter

3. Storing Lubricants:

Your machine can operate at top efficiency only if clean lubricants are used. Use clean containers to handle all lubricants. Store them in an area protected from dust, moisture and other contaminants.

4.1.2 GREASING

- Use a hand-held grease gun for all greasing.
- Wipe grease nipple with a clean cloth before greasing, to avoid injecting dirt and grit.
- Replace and repair broken nipple immediately.
- If nipples will not take grease, remove and clean thoroughly. Also clean lubricant passageway. Replace nipple if necessary.

4.2 Maintenance



ATTENTION: All maintenance, repairing, cleaning and lubricating shall be conducted when the tractor and motor are stopped and the key is taken away.

By following a careful service and maintenance program for your machine, you will enjoy many years of trouble-free operation.

The period recommended is based on normal operating conditions. Severe or unusual conditions may require more frequent maintenance.

4.2.1 8 HOURS OR DAILY MAINTENANCE

- Check and screw all nuts and bolts in connection parts.
- Check the blade and fixing parts every day and replace the damaged parts if they are found damaged. Don't install damaged, worn and unbalanced blade. New sleeve shall be used to replace the worn fixing parts on the blade.

NOTE:

The operator shall put on gloves and use suitable tools before changing blade.

- Check the oil in gearbox. Fill them up to line if it's necessary.
- Press butter in each oil nipple three to five times.
- Clean the implement; take away all grass and mud.



IMPORTANT: Check the oil level only when the unit is cold and the machine is on the level.

4.2.2 SEASON MAINTENANCE

- Check the machine as below beside the terms of daily maintenance.
- Check the oil in gearbox; replace it if it is bad.
- Check the bearings of blade spindles whether mud and water have been enter because oil seals are damaged, if it's so, disassemble and clean them and replace them if it is necessary. And then press butter into them.
- Check the distance between bearings and gears. Adjust them if it's necessary.

4.2.3 ANNUAL MAINTENANCE

- Cleaning mud and grass on the machine thoroughly.
- Check all clearance between bearings and gears if you have replaced them. Please run it without load for 3-5 minutes.
- Check and clean blade axles. Replace oil seals and press butter into them.
- Check all blades, replace then if they are wear-out or damaged.
- Repair the side skirts; let them to original technical condition. Replace damaged or broken protective devices.
- Remove the driving shaft from the machine. Pull the machine driving shaft apart. Check and replace any components that are damaged or worn. Install the driveline on the machine. The machine driving shaft should telescope easily and the guard turn freely on the shaft
- Let the oil in gearbox drain out thoroughly. Check and clean it. Fill new gear oil up to the dedicated oil level.

The oil shall be drained off after 50 hours of using time. Then the oil shall be drained off every 250 hours. One time every year at least.

The draining procedure is as follows: remove the draining bolt under the gear box, so that the oil drains off. After the oil is drained off, put back the cover and fill the gear oil up to the dedicated oil level.



ATTENTION: Don't forget to disconnect the generator cable and batteries when welding on the machine, while the machine is coupled with the tractor.

4.3 Storage

The machine inside and outside shall be cleaned carefully so as to avoid corrosion.

Don't spray water on the rolling bearing if you clean the machine with high pressure sprayer.

Check and clean the universal joint, driving belt press roller, or replace them if they are not in good state.

Spread oil on all parts required.

Recoat the parts rubbed and damaged for anti corrosion.

Store the machine in a dry, level area. Support the frame with planks if required.

4.4 Operation After Storage

Before the machine is started up, check the following items regularly:

Check oil level and add it if not enough.

Check and tighten all screws and nuts;

Check the regulated state of the machine.

Check the blade state.

Check the air hole on the gearbox. If it is blocked, clean or open the hole with compressed air.

Don't spread oil or grease on the driving belts. If there is oil or grease on the belts, wipe the belts, in case the belt sliding and wearing occur.



ATTENTION: Check the machine every 10 hours. Repair the damaged parts or replace the blade according to the manufacturer's recommendation, to keep the machine balancing.

Check all tightening parts and replace them if necessary.

Don't remove the protective parts on some points and protect the machine.



ATTENTION: In the case of vibration, stop the machine and check the blade. If the blade breaks or is damaged, replace it with same type of the blade. If the machine vibrates still, send the machine to the authorized repairer.

CHAPTER V ILLUSTRATED PARTS CATALOGUE

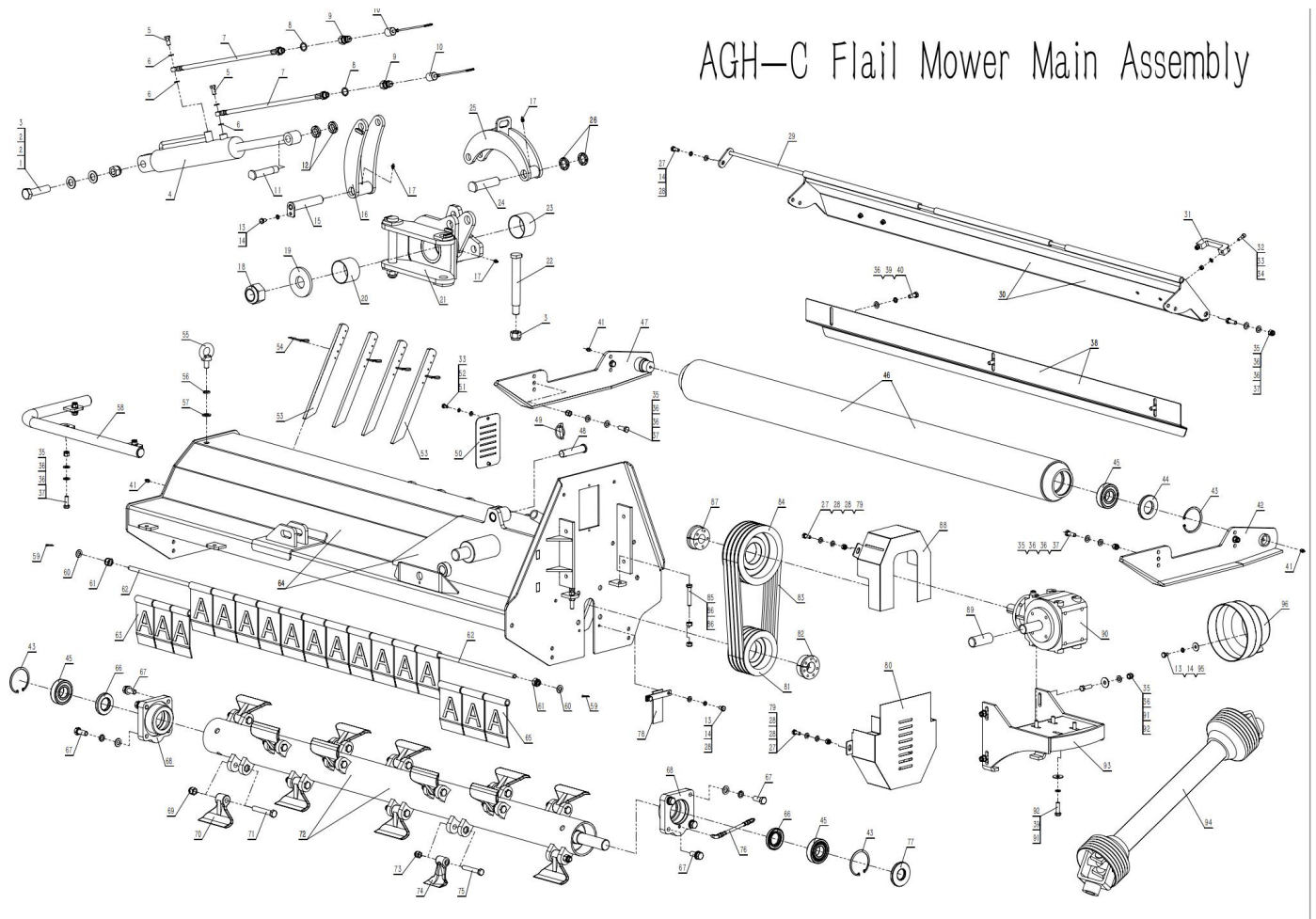
The manual contains a parts list for your machine. It is divided into major sections, which correspond to the groups shown in the Table of Contents and the accompanying illustration.

The first page of each major section lists the contents of that section, each of which consists of exploded views and related tabular listings.

When ordering parts

Always give your dealer the Model of your machine to assist him in ordering and obtaining the correct parts. Use the exploded view and tabular listing of the area of interest to exactly identify the required part.

5.1 The Frame Assembly



No	Part No.	Name & Specification	Q'ty
1	GB/T 5783-M24×100	Bolt M24×100	1
2	GB/T 97.1-Ø24	Plain washer 24	2
3	GB/T 889.1-M24	Locking nut M24	3

4	AGF140.021A	Flip oil cylinder		1	
5	EFGCH175.106	Bolt M12*1.25		2	
6	JB/T 982-Ø12	Bonded washer 12		4	
7	AGF140.023	Oil pipe 3350		2	
8	JB/T 982-G1/2	Bonded washer G1/2		2	
9	AGF140.146	Quick connecter		2	
10	AGF140.147	One-touch joint dust cap		2	
11	AGH200.112	Reverse connection pin		1	
12	GB/T 812-M24×1.5	Yoke Bushing Nut M24*1.5		2	
13	GB/T 5783-M10×16	Bolt M10*16		7	
14	GB/T 93-Ø10	spring washer 10		8	
15	AGH200.024	Pin shaft welded parts		1	
16	AGH200.039	Flip the support		1	
17	JB/T 7940.1-M8×1	Oil Cup M8*1		3	
18	GB/T 889.2-M42×3	Lock nut M42*3		1	
19	AGH200.104	flip rack bezel		1	
20	SF-2 8060	Boundary lubricated bearings 80*85*60		1	
21	AGH200.036	Flip frame welded pieces		1	
22	AGH200.108	Long pin		2	
23	SF-2 8060	Boundary lubricated bearings 80*85*60		1	
24	AGH200.105	Reverse connection pin		1	
25	AGH200.037	Reverse connection plate		1	
26	GB/T 810-M30×1.5	Thin round nut M30*1.5		2	
27	GB/T 5783-M10×25	Bolt M10*25		5	
28	GB/T 97.1-Ø10	Washer 10		11	
29	AGH-C140-013	Cover shaft weldment		1	
	AGH-C160-013	Cover shaft weldment		1	

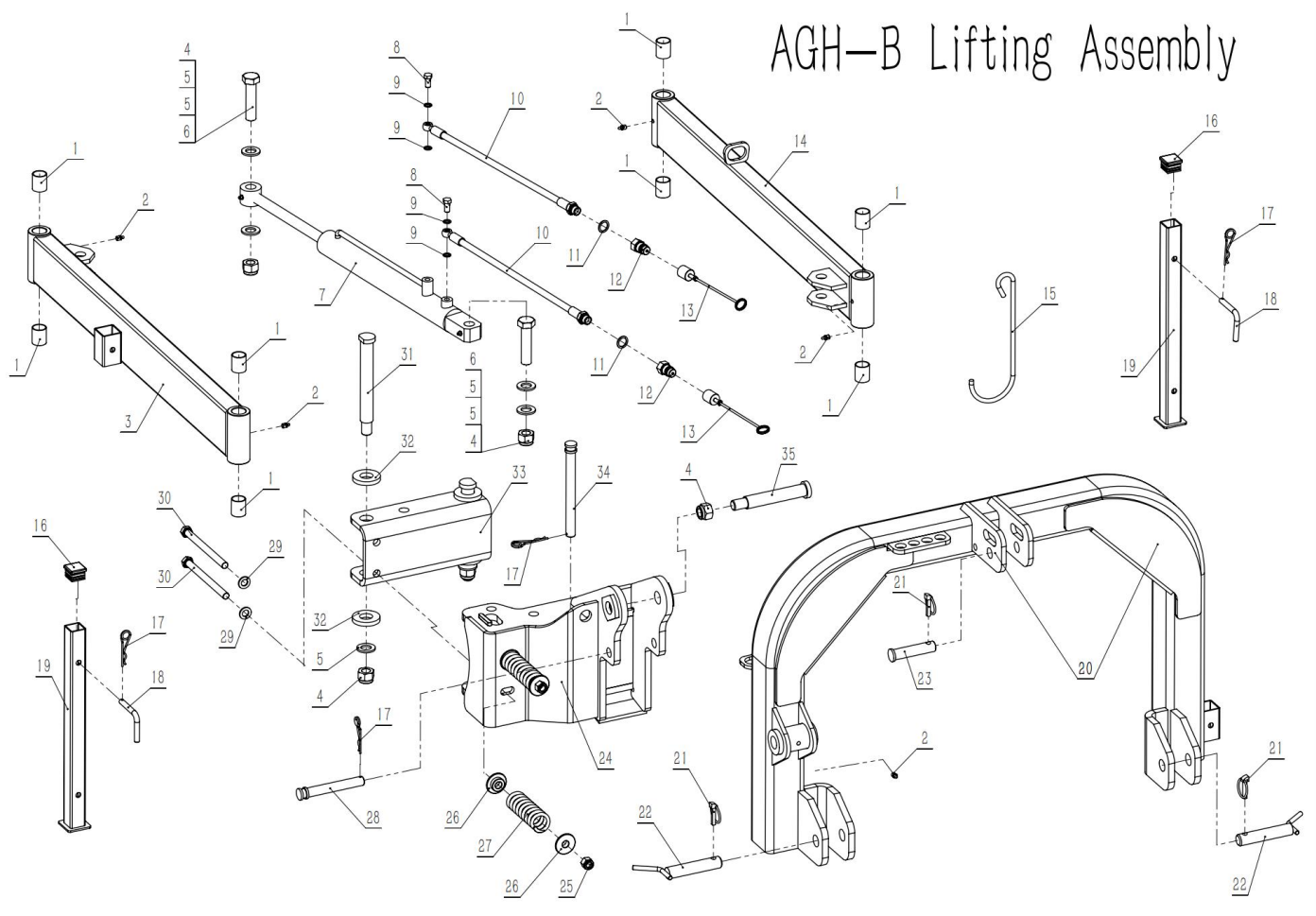
	AGH-C180-013	Cover shaft weldment		1	
	AGH-C200-013	Cover shaft weldment		1	
	AGH-C220-013	Cover shaft weldment		1	
30	AGH-C140-014	rear cover weldment		1	
	AGH-C160-014	rear cover weldment		1	
	AGH-C180-014	rear cover weldment		1	
	AGH-C200-014	rear cover weldment		1	
	AGH-C220-014	rear cover weldment		1	
31	DK2000-LS120	Plastic handle (center hole 120)		2	
32	GB/T 70.1-M8×25	Hex socket head cap screw M8*25		4	
33	GB/T 97.1-Ø8	Washer 8		6	
34	GB/T 889.1-M8	Lock nut M8		4	
35	GB/T 889.1-M12	Lock nut M12		13	
36	GB/T 97.1-Ø12	Washer 12		25	
37	GB/T 5783-M12×35	Bolt M12*35		9	
38	AGH-C140-101	rear scraper		1	
	AGH-C160-101	rear scraper		1	
	AGH-C180-101	rear scraper		1	
	AGH-C200-101	rear scraper		1	
	AGH-C220-101	rear scraper		1	
39	GB/T 93-Ø12	spring washer 12		7	
40	GB/T 5783-M12×30	Bolt M12*30		3	
41	JB/T 7940.1-M10×1	Oil Cup M10*1		3	
42	AGH200.019	Adjust base plate weldment RIGHT		1	
43	GB/T 893.1-Ø90	Circlips for holes 90		4	
44	GB/T 13871.1-45×90×10	TC type skeleton oil seal 45*90*10		2	
45	GB/T 276-6308-RZ	Deep Groove Ball Bearings 6308-RZ		4	

46	AGH140.016	Roller weldment		1	
	AGH160.016	Roller weldment		1	
	AGH180.016	Roller weldment		1	
	AGH200.016	Roller weldment		1	
	AGH220.016	Roller weldment		1	
47	AGH200.018	Adjust base plate weldment LEFT		1	
48	AGF140.110	Upper pin		1	
49	EFGC175.129	Lock pin		1	
50	AGH200.107	grid plate		1	
51	GB/T 5783-M8×16	Bolt M8*16		2	
52	GB/T 93-Ø8	Spring washer 8		2	
53	AGH-C200-102	rear fork		N	
54	EFGC175.130	R pin Φ3		N	
55	GB/T 825-M16×30	Screw rings M16*30		1	
56	GB/T 93-Ø16	Spring washer 16		1	
57	GB/T 97.1-Ø16	Washer 16		1	
58	AGH-B200.011	Protection bar		1	
59	GB/T 91-Ø4×25	Cotter pin A 4*25		2	
60	GB/T 97.1-Ø14	Washer 14		2	
61	GB/T 889.1-M18	Lock nut M18		2	
62	AG140.102	Bezel shaft		1	
	AG160.102	Bezel shaft		1	
	AG180.102	Bezel shaft		1	
	AG200.102	Bezel shaft		1	
	AG220.102	Bezel shaft		1	
63	EFH260.112	Baffle (optional)		N	
64	AGH-C140-015	The cover weldment		1	

	AGH-C160-015	The cover weldment		1	
	AGH-C180-015	The cover weldment		1	
	AGH-C200-015	The cover weldment		1	
	AGH-C220-015	The cover weldment		1	
65	EFH260.111	Baffle (wide)		N	
66	GB/T 13871.1-45×80×12	TC type skeleton oil seal 45*80*12		2	
67	GB/T 9074.17-M16×40	combination bolt M16*40		8	
68	AGF140.101	Bearing block		2	
69	GB/T 889.1-M16	Lock nut M16		N	
70	AGH200.114	Hammer 1.2kg		N	
71	GB/T 5782-M16×100	Bolt M16*100		N	
72	AGH140.056	Rotor shaft weldment		1	
	AGH160.056	Rotor shaft weldment		1	
	AGH180.056	Rotor shaft weldment		1	
	AGH200.056	Rotor shaft weldment		1	
	AGH220.056	Rotor shaft weldment		1	
	AG140.015	Rotor shaft weldment(optional)		1	
	AG160.015	Rotor shaft weldment(optional)		1	
	AG180.015	Rotor shaft weldment(optional)		1	
	AG200.015	Rotor shaft weldment(optional)		1	
	AG220.015	Rotor shaft weldment(optional)		1	
73	GB/T 889.1-M14	Lock nut M14		N	
74	EFK190.112	Hammer		N	

75	GB/T 5782-M14×90	Bolt M14*90		1	
76	AGH200.057	fuel pipe assembly		1	
77	GB/T 13871.1-40×90×10	TC type skeleton oil seal 40*90*10		1	
78	AGH200.026	T - plate welding pieces		1	
79	GB/T 889.1-M10	Lock nut M10		4	
80	AGH200.022	Lower pulley cover weldment		1	
81	AGF140.104	Small belt pulley (three grooves)		1	
	AG200.106	Small belt pulley		1	
82	AGF140.151	Z3 type expansion sleeve 40*80		1	
83	GB/T 11544-17×1300	Belt 17*1300		N	
84	AGF140.103	Big belt pulley (three grooves)		1	
	AG200.105	Big belt pulley		1	
85	GB/T 5783-M12×70	Bolt M12*70		2	
86	GB/T 6170-M12	Nut M12		4	
87	AGF140.150	Z3 type expansion sleeve 33*80		1	
88	AGH200.021	Upper pulley cover weldment		1	
89	EFGC175.133	Spline shaft dust cover		1	
90	XH50.300Z.03W	Gearbox		1	
91	GB/T 96.1-Ø12	Big Plain washer 12		8	
92	GB/T 5783-M12×40	Bolt M12*40		8	
93	AGH200.020	Gear box support plate		1	
94	T5S-Y6W-05-05-180 0	PTO shaft 05B-1800		1	
95	GB/T 96.1-Ø10	Big Plain washer 10		4	
96	EFGC175.123	PTO protective cover		1	

5.2 The Sway Frame Assembly



No.	Part No.	Name & Specification	Q'ty	Remarks
1	SF-2 3440	Bronze bearing 34*30*40	8	
2	JB/T 7940.1	Oil cut M10*1	5	
3	AGH200.050	Right connection pipe welded pieces	1	
4	GB/T 889.1-M24	Lock nut M24	5	
5	GB/T 97.1-Ø24	Washer 24	6	
6	GB/T 5782-M24×100	Bolt M24*100	2	
7	AGF140.029A	Swing cylinder	1	
8	EFGCH175.106	hollow bolt	2	
9	JB/T 982-Ø12	Bonded washer 12	4	
10	AGF140.032	Tubing assembly	2	
11	JB/T 982-G1/2	Bonded washer G1/2	2	
12	AGF140.146	Quick connector	2	
13	AGF140.147	One-touch joint dust cap	2	

14	AGH200.049	Left connection pipe welded pieces		1	
15	AGL125.111	Hook		1	
16	AT120-123	Pipe plug		2	
17	EFGC175.130	R pin 3		4	
18	EFGC175.115	Foot pin		2	
19	AGH200.054	Support foot welded pieces		2	
20	AGH200.047	Reinforcement plate lifting frame weldment		1	140-180
	AGH200.047A	Reinforcement plate lifting frame weldment		1	200-220
21	EFGC175.129	Lock pin		3	
22	AGH200.055	Lower pin		2	
23	AGF140.110	Upper pin		1	
24	AGH-B200.048	The connecting frame welding		1	
25	GB/T 889.1-M16	Lock nut M16		2	
26	AGH-B200.107	Spring fixed ring		4	
27	AGH-B200.105	buffer spring		2	
28	AGH200.111	Protection pin 2		1	
29	GB/T 97.1-Ø16	Washer 16		2	
30	GB/T 5783-M16×200	Bolt M16*200		2	
31	AGH-B200.102	Swing arm connecting pin		2	
32	AGH-B200.104	Washer		4	
33	AGH-B200.101	U-shaped connecting plate		1	
34	AGH-B200.103	safety pin		1	
35	AGH200.109	short pin		1	

The information contained in this operations manual is a general introduction only. The information contained herein may be modified at any time, for any reason. Modification may affect the details or specifications of the product described in this manual. Therefore, users – dealers must include the manufacturing date and serial number when placing an order for spare parts and components. Thanks.