



LandMax

Suppliers Of Quality Agricultural Machinery

21 Plummers Point Road, Tauranga

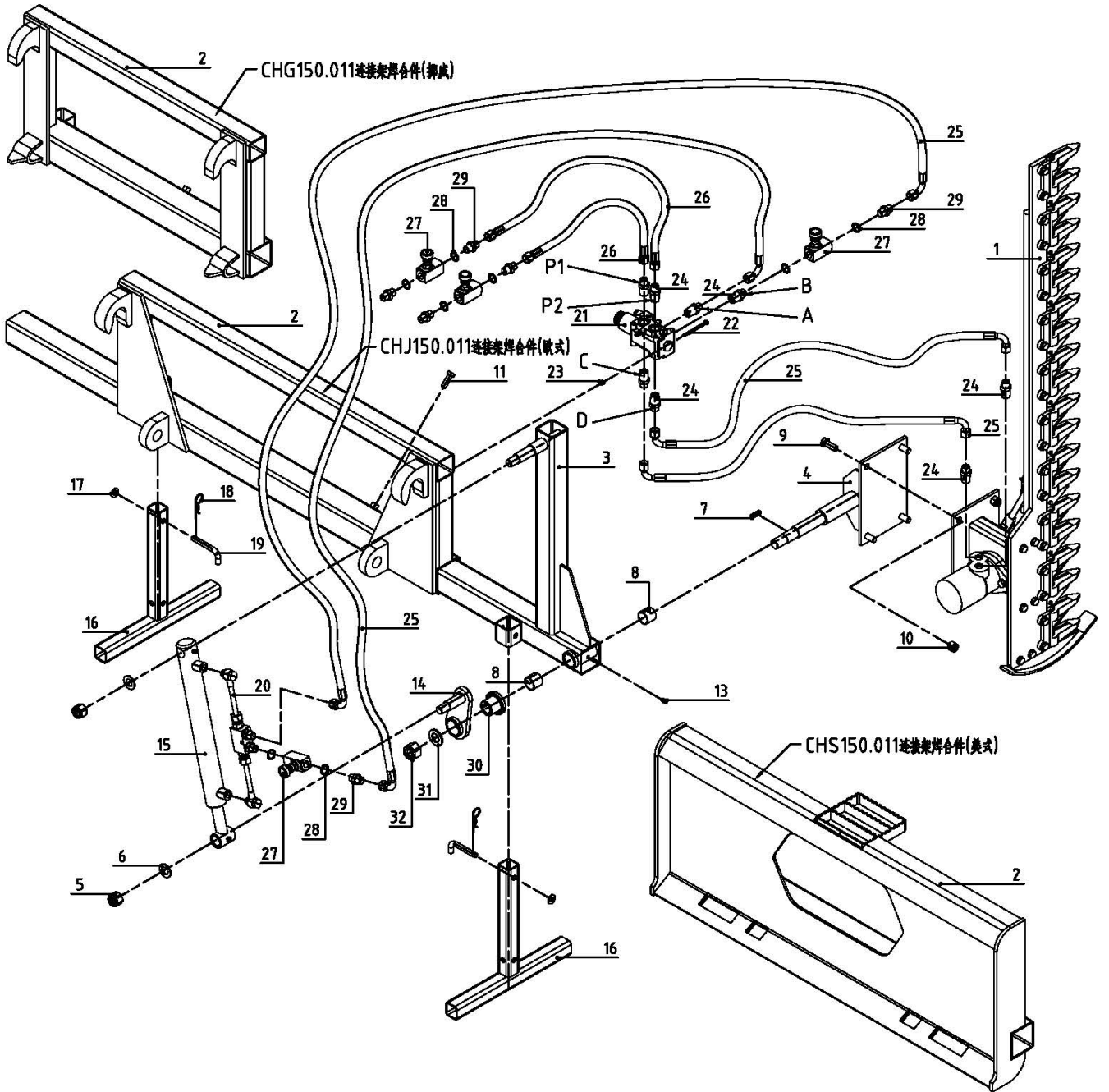


Hedge Cutter

CHJ

Parts List

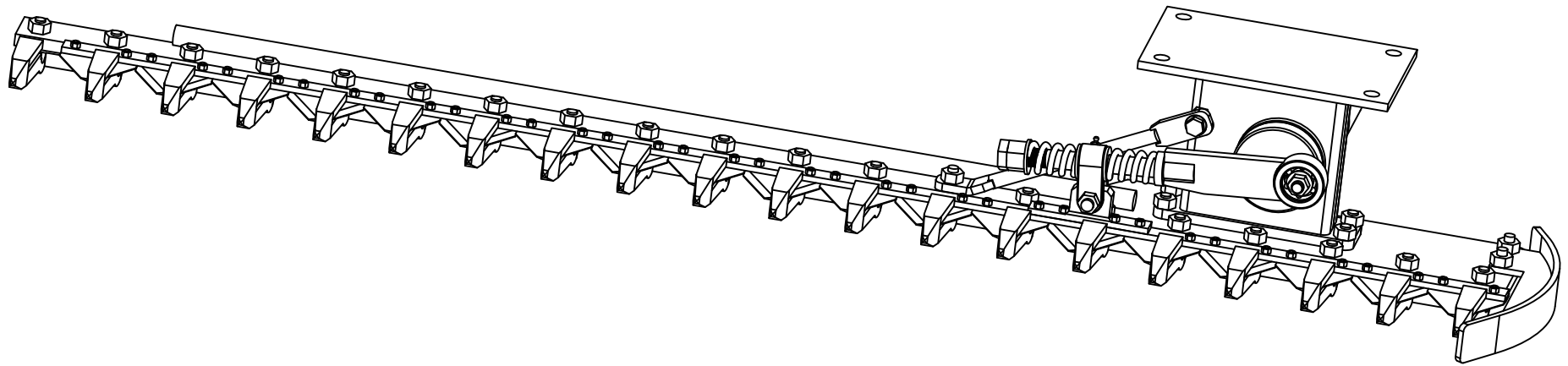
Schematic -CHJ、CHG and CHS



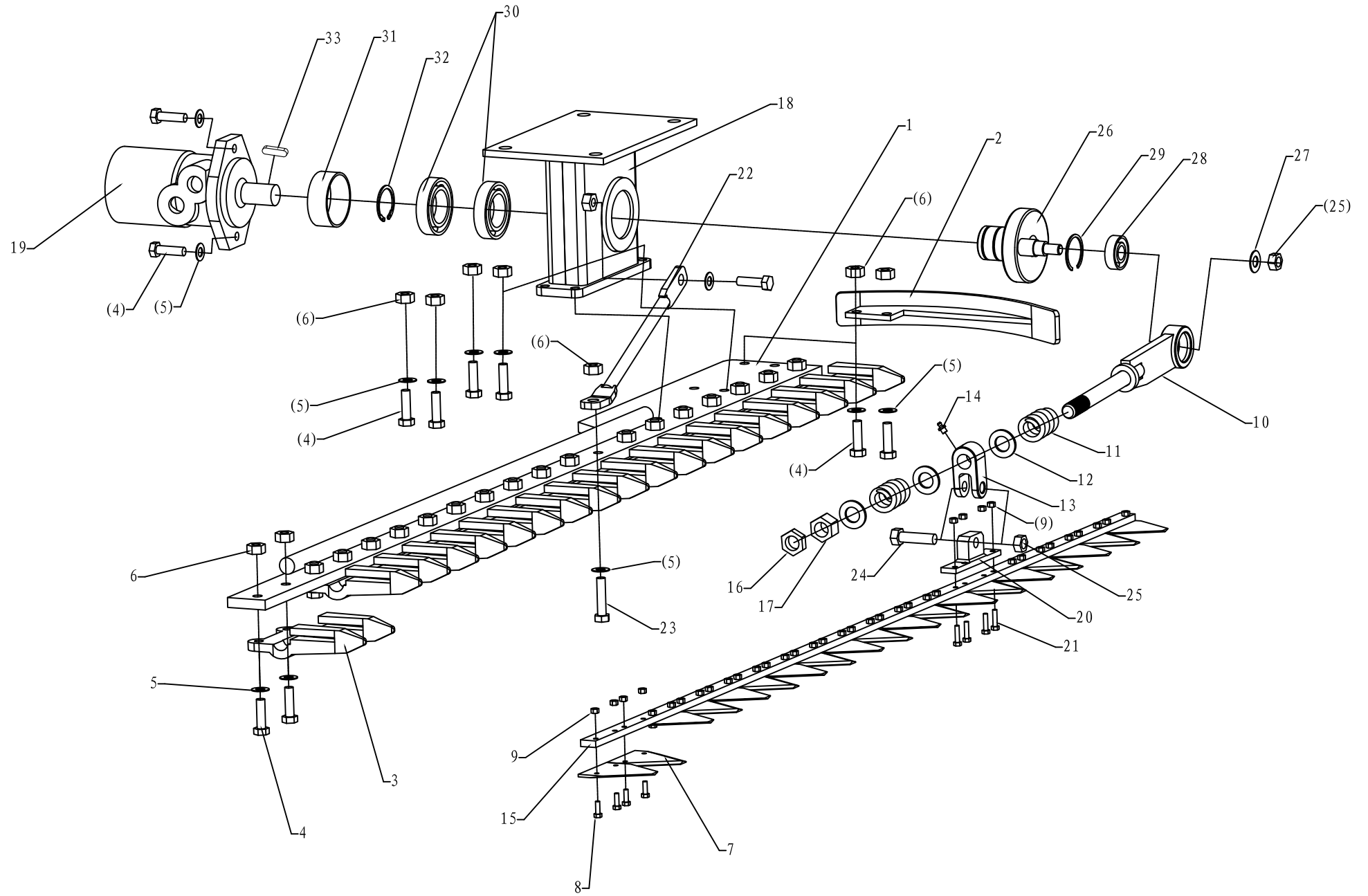
Parts List –CHJ、 CHG and CHS

NO.	PART NO.	Name & Specifications		QTY
1	CH150.001			1
2	CHJ150.011			1
	CHG150.011			
	CHS150.011			
3	CHJ150.012			1
4	CHJ150.013			1
5	GB/T889.1-2000			2
6	GB/T97.1-1987			2
7	GB / T1096-1979			1
8	CHJ150.102			2
9	GB/T5783-2000			4
10	GB/T889.1-2000			4
11	GB/T5783-2000			2
12	JB / T7940. 1-1995			1
13	CHJ150.014			1
14	CHJ150.015			1
15	CHJ150.016			2
16	GB/T97.1-1987			2
17				2
18	1G135.00.107			2
19				1
20	DV26.001			1

21	GB/T5783-2000			2
22	GB/T889.1-2000			2
23	CP5.60.104			8
24	CHJ150.017			4
25	CHJ150.018			2
26	LA-H10L			4
27				8
28				6
29	CHJ150.019			1
30	GB / T97. 1-2002			1
31	GB/T889.1-2000			1
32	CHJ150.012			1



SICKLE BAR CH150 PARTS LIST



SICKLE BAR PARTS LIST

Item	NO.	Parts Name		Qty	Item	NO.	Parts Name		Qty
1	CH150.011	main frame		1	18	CH150.014	bearing house		1
2	CH150.012	skid		1	19	CH150.002	hydraulic motor		1
3	CH150.101	knife protector		10	20	CH150.103	block		1
4	GB5783	bolt M10X35		28	21	GB5783	bolt M5X20		4
5	GB97.1	washer 10		29	22	CH150.015	supporter		1
6	GB/T889.1	locking nut M10		26	23	GB5783	bolt M10X45		1
7	CH150.102	knife protector		19	24	GB5783	bolt M12X45		1
8	GB5783	bolt M5X15		34	25	GB/T889.1	locking nut M12		2
9	GB/T889.1	locking nut M5		38	26	CH150.016	bent axle		1
10	CH150.013	connector		1	27	GB97.1	washer 12		1
11	CH150.106	spring		2	28	GB/T276-1994	bearing 6203		1
12	GB97.1	washer 18		3	29	GB893.1-86	hole ring 40		1
13	CH150.104	block		1	30	GB/T276-1994	bearing 6008		2
14	GB1152	grease nipple M6		1	31	CH150.107	space bush		1
15	CH150.105	knife keeper		1	32	GB894.1-86	shaft ring 40		1
16	GB6172-86	thin nut M18		1	33	GB/T1096-2003	key 8X7X32		1
17	GB6170-86	nut M18		1					